

# LP202 Series

## Loop Power Sensor, Velocity, 4-20 mA Output, Top Exit Connector/Cable



### Product Features

#### Continuously Monitor & Protect Important Machinery

- 4-20 mA Current Proportional to Vibration
- Transmit Signals Over Long Distances with No Signal Loss
- Customize Your Settings to Focus on the Most Important Frequencies

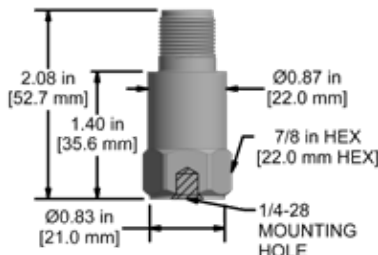


Actual Product Size Shown

#### LP202-1E

2 Pin Connector

Connector Pin	Polarity
A	(+) Loop Power mA Output
B	(-) Common



#### LP202-2E

Integral Cable

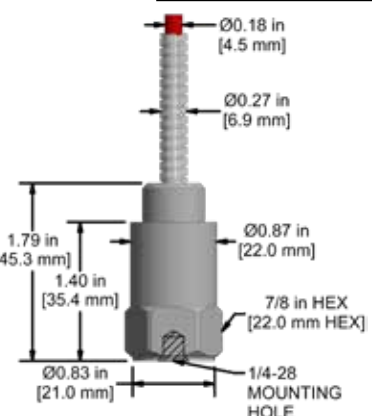
Conductor	Polarity
Red	(+) Loop Power mA Output
Black	(-) Common
Shield	Cable Drain Wire



#### LP202-3E

Armored Integral Cable

Conductor	Polarity
Red	(+) Loop Power mA Output
Black	(-) Common
Shield	Cable Drain Wire



Specifications	Standard	Metric
Output, 4-20 mA	See Selection Guide	
Measurement Range	See Selection Guide	
<b>Tolerances</b>		
4 mA	± 5%	
20 mA	± 10%	
<b>Electrical</b>		
Settling Time (Turn on Time) @ Room Temp (68° F/20° C)	<30 Seconds	
Power Requirement (Loop Powered) Voltage Source	15-30 VDC	
Electrical Case Isolation	>10 <sup>8</sup> ohm	
<b>Environmental</b>		
Temperature Range	-40 to 212°F	-40 to 100°C
Electromagnetic Sensitivity	CE	
Sealing	Welded, Hermetic	
Submersible Depth (LP202-2D/3D)	200 ft.	60 m

Specifications	Standard	Metric
<b>Physical</b>		
Sensing Element	PZT Ceramic	
Sensing Structure	Shear Mode	
Weight (without cable)	3.0 oz	86 grams
Case Material	316L Stainless Steel	
Mounting Hole	1/4-28	
Connector (LP202-1E)	2 Pin MIL-C-5015	
Integral Cable (LP202-2E)	Polyurethane Jacketed Cable	
Armored Cable (LP202-3E)	Armor Jacketed Cable	
<b>Mechanical</b>		
Mounting Torque	2 to 5 ft. lbs.	2,7 to 6,8 Nm
<b>Supplied Accessories</b>		
Mounting Hardware	1/4-28 Stud	M6x1 Adapter Stud
Calibration Certificate	Current Output @ 100 Hz	

### Ordering Information



Stud Type	Measurement Range	Range Type	Frequency Range +/- 3dB	Style	Cable/Armor Lengths
M = M6x1  (blank for 1/4-28)	0 = 0-0.5 IPS (0-12.7 mm/sec) 1 = 0-1 IPS (0-25.4 mm/sec) 2 = 0-2 IPS (0-50.8 mm/sec) 3 = 0-10 mm/sec (0-0.4 IPS) 4 = 0-20 mm/sec (0-0.8 IPS) 6 = 0-5 IPS (0-127 mm/sec)	R = RMS P = Peak	1 = 600-60,000 CPM (10-1000 Hz) 2 = 120-150,000 CPM (2-2500 Hz) 3 = 120-60,000 CPM (2-1000 Hz) 4 = 120-300,000 CPM (2-5000 Hz) 5 = 120-600,000 CPM (2-10000 Hz)	1E = 2 Pin MIL C-5015  2E = Integral Cable  3E = Armor Jacket	Component Cables Ordered Separately  / [ ] [ ] [ ] - Z Cable Length (in Feet)  / [ ] [ ] [ ] / [ ] [ ] [ ] - Z Maximum Armor Length 100 ft. (30 m) Cable Length (in Feet)

Lifetime Warranty on Materials & Workmanship

www.ctonline.com



PROTECTION & RELIABILITY INSTRUMENTS

SECTION 6 - PRO LINE  
Loop Power Acceleration & Velocity Sensors