

AC203 Series

Low & High Frequency Accelerometer, Top Exit Connector,
100 mVg



VIBRATION ANALYSIS HARDWARE

REGULATORY APPROVALS



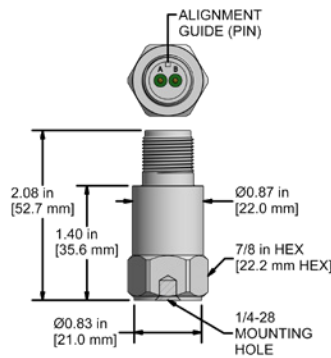
PRODUCT FEATURES

Designed for Low Speed Rotors, Wind Turbine Main Bearings, Gear Box Inputs, and May Also Be Used for High Frequency Detection.

May be used with any application that requires low and high frequency measurements.

AC203-1D 2 Pin Connector

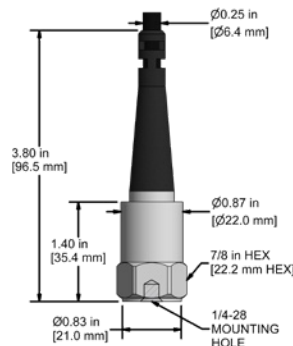
Connector Pin	Polarity
A	(+) Signal / Power
B	(-) Common



STOCK PRODUCT

AC203-2D Integral Cable

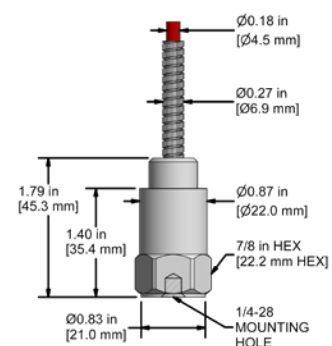
Conductor	Polarity
Red	(+) Signal / Power
Black	(-) Common
Shield	Cable Drain Wire



BUILD TO ORDER

AC203-3D Armored Integral Cable

Conductor	Polarity
Red	(+) Signal / Power
Black	(-) Common
Shield	Cable Drain Wire

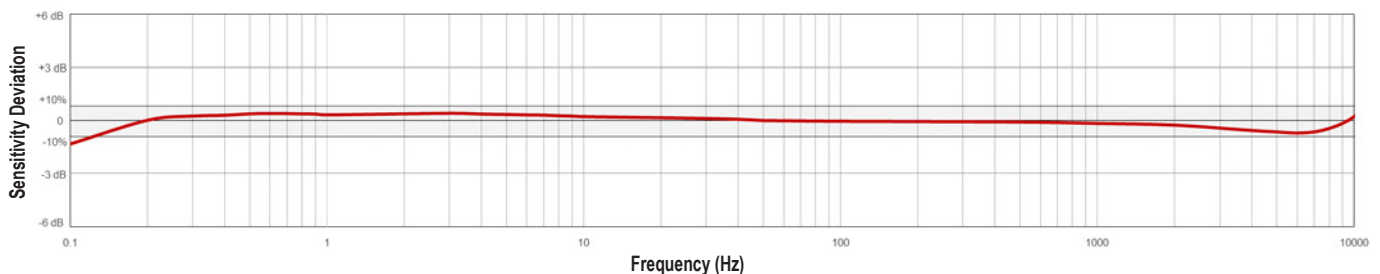


BUILD TO ORDER

Specifications	Standard	Metric
Part Number	AC203	M/AC203
Vibration		
Sensitivity (± 10 %)		100 mV/g
Frequency Response (± 3 dB)	6 CPM to 600 kCPM	0.1 Hz to 10 kHz
Frequency Response (± 10 %)	36 CPM to 480 kCPM	0.6 Hz to 8 kHz
Dynamic Range		± 80 g, peak
Electrical		
Settling Time		< 2 seconds
Voltage Source (IEPE)	18 Vdc to 30 Vdc	
Constant Current Excitation	2 mA to 10 mA	
Spectral Noise @ 10 Hz		1.3 µg/√Hz
Spectral Noise @ 100 Hz		0.2 µg/√Hz
Spectral Noise @ 1 kHz		0.1 µg/√Hz
Output Impedance		< 100 ohm
Bias Output Voltage	10 Vdc to 14 Vdc	
Case Isolation		> 10 ⁸ ohm

Specifications	Standard	Metric
Environmental		
Temperature Range	-58°F to 250°F	-50°C to 121°C
Maximum Shock Protection		5 kg, peak
Electromagnetic Sensitivity		CE
Sealing		Welded, Hermetic (IP68)
Physical		
Sensing Element		PZT Ceramic
Sensing Structure		Shear Mode
Weight	3.25 ounces	92 grams
Case Material		316L Stainless Steel
Mounting		1/4-28
Connector (non-integral)		2 Pin MIL-C-5015
Resonant Frequency	1020 kCPM	17 kHz
Mounting Torque	2 ft-lb to 5 ft-lb	2.7 N-m to 6.8 N-m
Mounting Hardware	1/4-28 Stud	M6x1 Adapter Stud
Calibration Certificate		CA10

TYPICAL FREQUENCY RESPONSE



UNCONDITIONAL LIFETIME WARRANTY

TOLL-FREE: 800.999.5290

www.CTOnline.com