

MODEL NUMBER 7531A5	PERFORMANCE SPECIFICATIONS			DOC NO. PS7531A5
	SINGLE AXIS, DC ACCELEROMETER			REV B ECN 12745, 06/08/16



- **LOW COST**
- **WIDE SUPPLY VOLTAGE RANGE**
- **LOW CURRENT CONSUMPTION**

PHYSICAL

Weight, Max. (less cable)
Mounting
Cable
Housing

Type
Material
Isolation

ENGLISH		SI	
0.21	oz	6.0	grams
2X M2 Screws		2X M2 Screws	
6-conductor		6-conductor	
Santoprene		Santoprene	
Aluminum, Anodized		Aluminum, Anodized	
Case Isolated		Case Isolated	

PERFORMANCE

Sensitivity, +/-10% [1]
Acceleration Range
Frequency Range, -3dB
Resonance Frequency
Linearity [2]
Transverse Sensitivity Max
Spectral Noise
Sensitivity Change Due to Temperature

6.5	mV/g	0.7	mV/m/s ²
±200	Gpeak	±1962	m/s ² peak
0 to 1300	Hz	0 to 1300	Hz
>16.5	kHz	>16.5	kHz
±0.51	%F.S.	±0.51	%F.S.
5	%	5	%
2700	µGrms/√Hz	26487	µm/s ² rms/√Hz
±0.011	%°F	±0.02	%°C

ELECTRICAL

Supply Current
Supply Voltage Range
Output Impedance, Typ.
Output Bias Voltage
Output Range
Self-Test Output [3]
Turn-On Time

350	µA	350	µA
4 to 28	VDC	4 to 28	VDC
100	Ω	100	Ω
1.4 to 1.6	VDC	1.4 to 1.6	VDC
±1.5	VDC	±1.5	VDC
-6.5	mV	-6.5	mV
1	ms	1	ms

ENVIRONMENTAL

Shock Max
Vibration Max
Operating Temperature
Seal

10,000	g pk	98100	m/s ²
5000	g pk	49050	m/s ²
-40 to +185	°F	-40 to +85	°C
Epoxy		Epoxy	

Model	Sensitivity (mV/g)	Range (Gpeak)	Noise(µGrms/sqr(Hz))	Oper. Temp(°F)
7531A1	420	±2	250	-40 to 185
7531A2	300	±3	175	-40 to 185
7531A3	174	±5	250	-40 to 185
7531A4	57	±16	300	-40 to 185

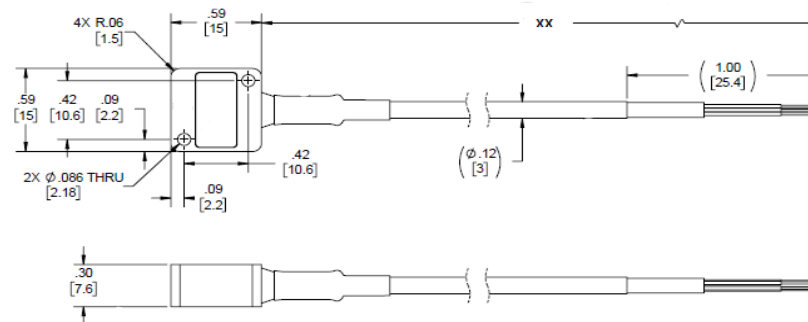
Please, refer to the performance specifications of the products in this family for detailed description

Supplied Accessories:

- 1) Accredited calibration certificate (ISO 17025)
- 2) Mounting Screw, Model 6675, M2x0.4 x 12mm, qty. 2

Notes:

- [1] Measured at 100 Hz, 5 Grms per ISA RP 37.2
- [2] Linearity is % of specified full scale (or any less full-scale range), zero-based best fit straight line method.
- [3] Refer to the Operating Guide for instructions on how to use Self-Test feature



Units on the line drawing are in inches, units in brackets are in millimeters. Refer to 127-7531A1-XX for more information.



21592 Marilla Street, Chatsworth, California 91311 Phone: 818.700.7818 Fax:818.700.7880
www.dytran.com For permission to reprint this content, please contact info@dytran.com