

PROPRIETARY AND CONFIDENTIAL

THE INFORMATION CONTAINED IN THIS DRAWING IS THE SOLE PROPERTY OF DYTRAN INSTRUMENTS INC. ANY REPRODUCTION IN PART OR AS A WHOLE WITHOUT THE WRITTEN PERMISSION OF DYTRAN INSTRUMENTS INC. IS PROHIBITED

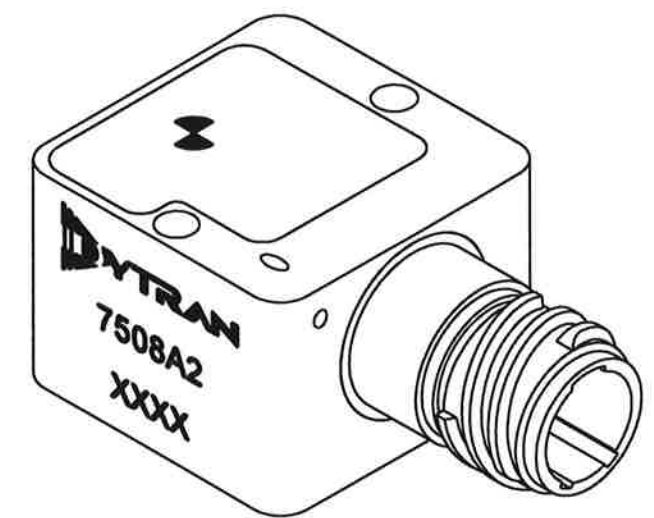
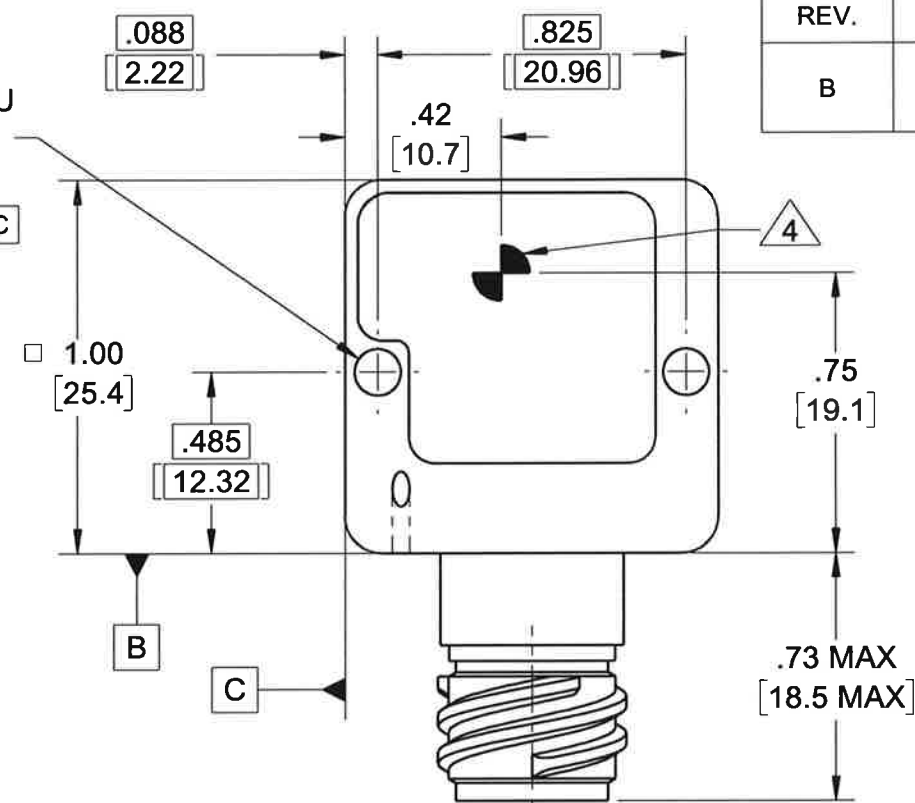
REVISIONS

REV.	ECN	DESCRIPTION	BY/DATE	CHK	APPR
B	12631	ADDED NOTE 6	JS 04/15/16	LA	W

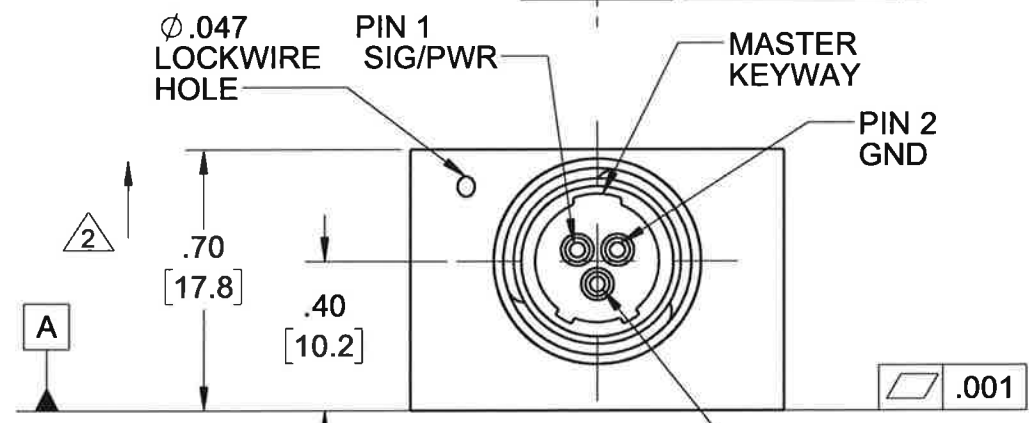
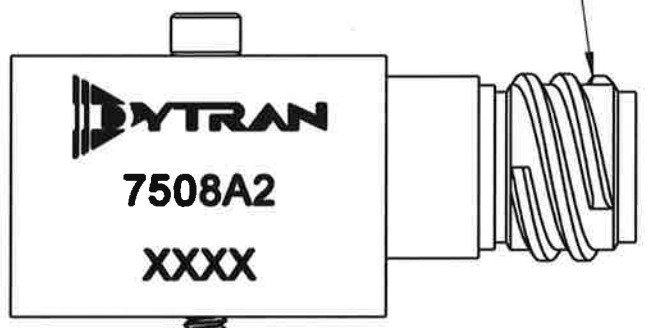
2X $\phi .125^{+.010}_{-.001}$ THRU

$3.18^{+.025}_{-.03}$

$\phi .020$ (M)	A	B	C
$\phi .006$ (M)	A		



3 CONNECTOR, RECEPTACLE, 3-PIN, GLENAIR P/N: 805-006-13Z18-23PA



5 MOUNTING RECOMMENDATIONS: PREPARE MOUNTING SURFACE FLAT TO .001 TIR. TAP 4-40 UNC-2B $\nabla .20$ MIN. RECOMMENDED MOUNTING TORQUE 6-8LB-IN. FOR BEST FREQUENCY RESPONSE, MOUNTING SURFACE MUST CONTACT THE ENTIRE ACCELEROMETER MOUNTING SURFACE.

6. MINOR VOIDS, SCARS, SCRATCHES AND MOUNTING BLEMISH/WITNESS MARKS ON EXTERIOR SURFACES ARE ALLOWED DUE TO RESTRAINING AND HANDLING DURING TESTING, TRANSPORT OR PROCESSING. THESE APPEAR AS INDICATORS THAT DO NOT AFFECT FORM, FIT OR FUNCTION AS INTENDED BY DESIGN OR APPLICATION

- 5 SUGGESTED HARDWARE: 4-40 UNC-2A X .875, SHCS, 300 SERIES STAINLESS STEEL.
- 4 LOCATION OF SENSING ELEMENT
- 3 MATES WITH GLENAIR PLUG 805-001-16Z18-23SA AND 805-002-16Z18-23SA.
- 2 ARROW INDICATES ACCELERATION DIRECTION FOR POSITIVE OUTPUT

1. WEIGHT: 70 GRAMS MAX
NOTES: UNLESS OTHERWISE SPECIFIED

UNLESS OTHERWISE SPECIFIED: INTERPRET DIM & TOL PER ASME Y14.5M - 1994. REMOVE BURRS. COUNTERSINK INTERNAL THDS 90° TO MAJOR DIA. CHAM EXT THDS 45° TO MINOR DIA. THD LENGTHS AND DEPTHS ARE FOR MIN FULL THDS. DIMENSIONS APPLY AFTER FINISHING.

ALL MACHINED SURFACES. TOTAL RUNOUT WITHIN .005. BREAK SHARP EDGES .005 TO .010. MACHINED FILLET RADII .005 TO .015. WELDING SYMBOLS PER AWS A2.4. ABBREVIATIONS PER MIL-STD-12.

DECIMALS		METRIC		ANGLES
.XX ± .03	.X ± 0.8	.X	± 0.8	± 1°
.XXX ± .010	.XX ± 0.25	.XX	± 0.25	

APPROVALS		DATE
ORIG	LN	02/08/16
CHK	EP	02/09/16
APP	RT	02/15/16

DO NOT SCALE DRAWING

THIRD ANGLE PROJECTION USA

DYTRAN INSTRUMENTS, INC. Chatsworth, CA
MASTER ONLY IN RED

TITLE: **OUTLINE/INSTALLATION DWG, CVLD ACCEL, MODEL 7508A2**

SIZE B	CAGE CODE 2W033	DWG NO 127-7508A2	REV B
---------------	------------------------	--------------------------	--------------

SCALE: 2:1 SHEET 1 OF 1

Model Number 7508A2	PERFORMANCE SPECIFICATIONS			DOC NO PS7508A2
	VARIABLE CAPACITANCE ACCELEROMETER			REV A, ECN 12490 , 02/08/16



- CURRENT OUTPUT
- DC RESPONSE
- 4-20 mA LOOP COMPATIBLE
- FREQUENCY RANGE: 0- 2500 Hz
- HERMETICALLY SEALED

	ENGLISH		SI	
PHYSICAL				
Weight, Max	2.5	oz	70	grams
Connector [1]	Type Receptacle, 3-pin		Receptacle, 3-pin	
Mounting	Thru Holes 2 X Ø.125		2 X Ø.125	
Material	300 Series S.S.		300 Series S.S.	
PERFORMANCE				
Input Range	±400	g	±3924	m/s ²
Frequency Response (-3dB), ± 50Hz	0 - 2500	Hz	0 - 2500	Hz
Sensitivity Differential, ±10%	13	µA/g	1.3	µA/m/s ²
Output Noise, Differential ,Typ	400	µ g rms/v Hz	3924	µ m/s ² /V Hz
Non-Linearity, Max [1]	0.5	% F.S	0.5	% F.S
Transverse Sensitivity, Max	2	%	2	%
Scale Factor Calibration Error, Max	2	%	2	%
Zero Measured Output	±50	mV	±50	mV
ENVIRONMENTAL				
Maximum Mechanical Shock	5000	gpk	49050	m/s ² peak
Bias Temperature Shift ,Max [3]	56	(ppm of span)/°F	100	(ppm of span)/°C
Bias Calibration Error	1.5	% of span	1.5	% of span
Operating Temperature Range	-55 to +257	°F	-48 to +125	°C
Scale Factor Temperature Shift [3]	-111 to 0	ppm/°F	-200 to 0	ppm/°C
Seal	Hermetic		Hermetic	
ELECTRICAL				
Bias Current	14 - 15	mA	14 - 15	mA
Output Impedence,Nom	400	Ω	400	Ω
Operating Voltage	10 - 36	VDC	10 - 36	VDC
Full Scale Output	±5	mA	±5	mA
Power Supply Rejection Ratio	>65	dB	>65	dB

This family also includes:

Model	Input Range (g)	Frequency response (Hz)	Sensitivity Differential, ±10% (µA/n)	Max.Shock (gpk)	Noise Differential (µg rms/vHz)

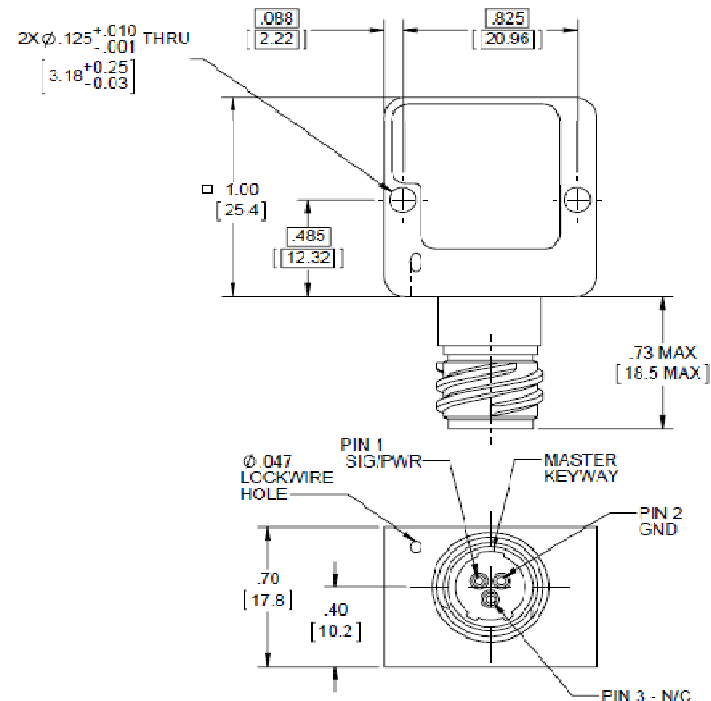
Refer to the performance specifications of the products in this family for detailed description.

Supplied Accessories:

- 1) Accredited calibration certificate (ISO 17025)

Notes:

- [1] Glenair P/N 805-006-13Z18-23PA. Mates with 805-001-16Z18-23SA and 805-002-16Z18-23SA
- [2] -90% to +90% of Full Scale.
- [3] Over the rated temperature range.



Units on the line drawing are in inches, dimensions in brackets [] are in millimeters. Refer to 127-7508A2 for more information.



21592 Marilla Street, Chatsworth, California 91311 Phone: 818.700.7818 Fax:818.700.7880 www.dytran.com
For permission to reprint this content, please contact info@dytran.com