

MC8-30000 SPECIFICATIONS

The MC8 is a high-capacity, six-axis transducer designed to quantify loads up to 30,000 pounds. The instrument has eight inch square top and bottom plates manufactured from high strength 17-4 stainless steel. The center anodized aluminum shell is notched to allow 5/8" diameter bolts to pass through the 3/4-10 threaded mounting holes. This provides additional mounting possibilities. Elastomeric O-ring seals protect the strain gages and wiring. Conformal coating of the strain gages further insures long life and consistent, reliable performance.



Units: Capacity:

Dimensions(WxLxH)	203 x 203 x 203 mm	IP Rating	IP60
Weight	36.36 kg	Sensing elements	Strain gage bridge
Channels	Fx, Fy, Fz, Mx, My, Mz	Amplifier	Required
Body Material	Stainless Steel	Analog outputs	6 Channels
Temperature range	-17.78 to 51.67°C	Digital outputs	None
Excitation	10V maximum	Crosstalk	< 2% on all channels
Fx, Fy, Fz hysteresis	± 0.2% full scale output	Fx, Fy, Fz non-linearity	± 0.2% full scale output

Channel	Fx	Fy	Fz	Units	Mx	My	Mz	Units
Capacity	66723	66723	133447	N	13550	13550	6775	N-m
Sensitivity	0.0495	0.0495	0.0105	µv/v-N	0.413	0.413	0.413	µv/v-N-m
Natural frequency	1300	1300	2000	Hz	-	-	-	Hz
Stiffness (X 105)	3156	3156	13150	N/m	-	-	-	N-m/rad

Resolution [To determine the resolution of your system, please use our Output Calculator.](#)

Published specifications subject to change without notice.

Last modified:2016-08-23

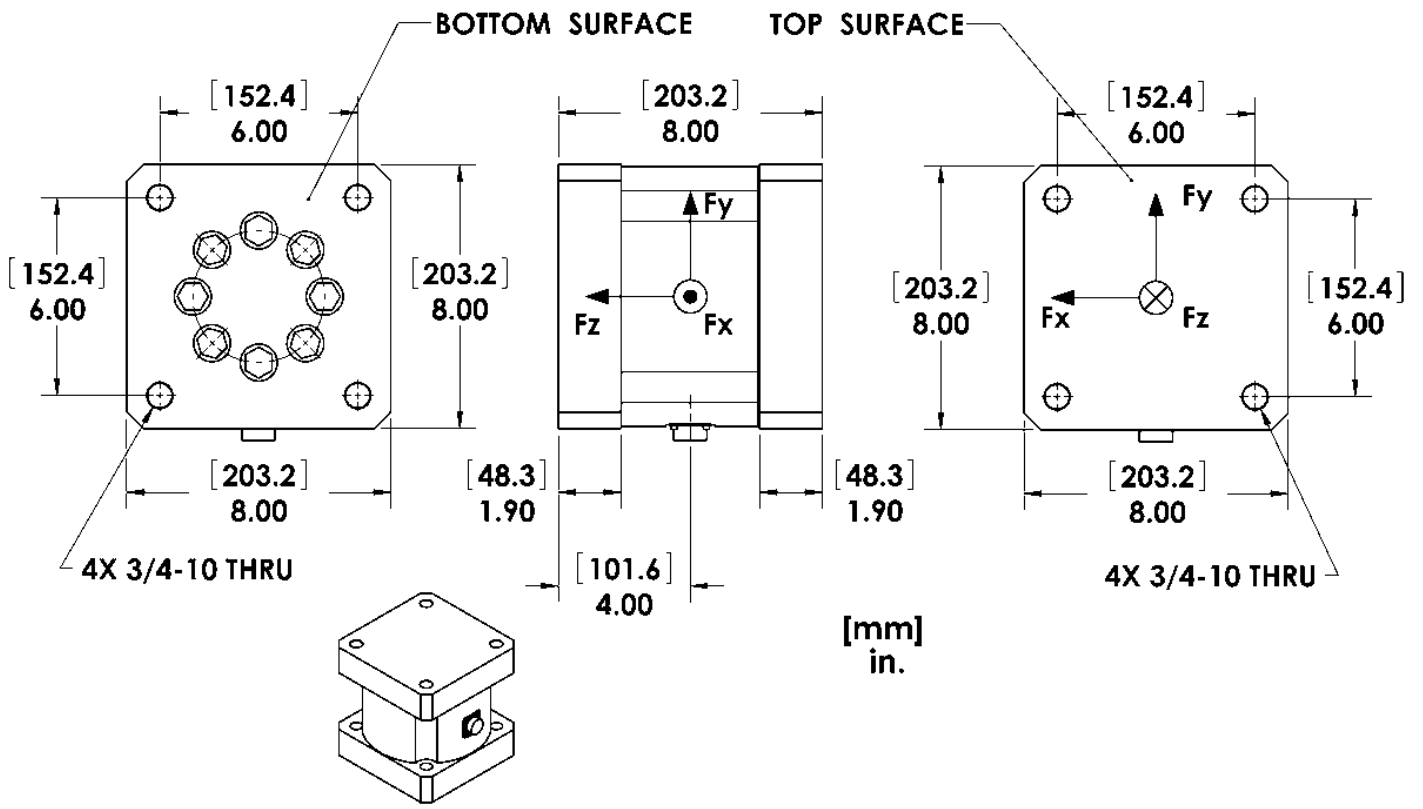
TECHNICAL DRAWINGS

Footprint Drawing (click on image to enlarge)

Electrical Drawing (click on image to enlarge)

TECHNICAL DRAWING

Footprint Drawing



Electrical Drawing

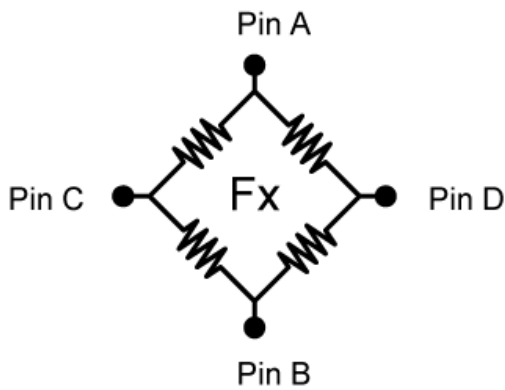
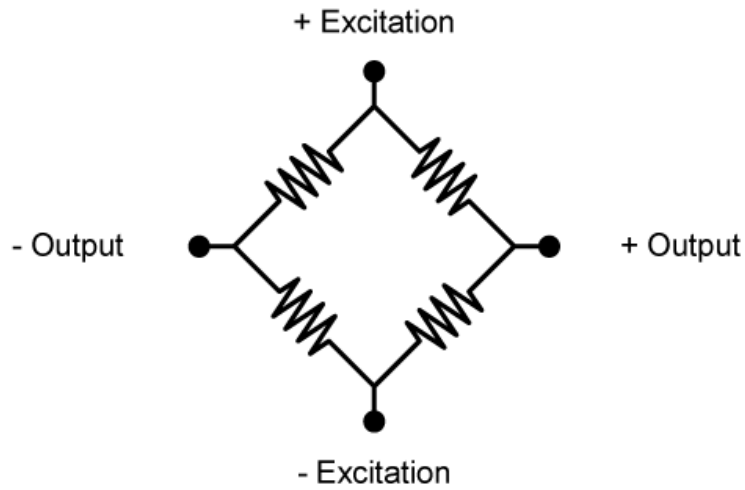


Fig. 1

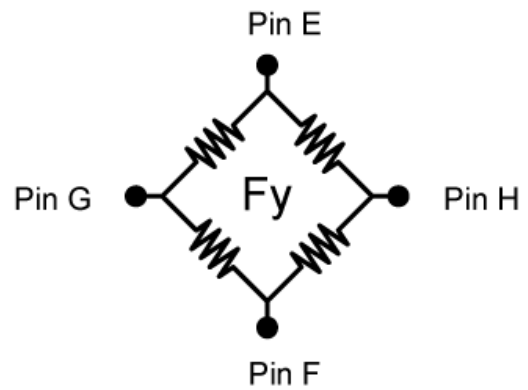
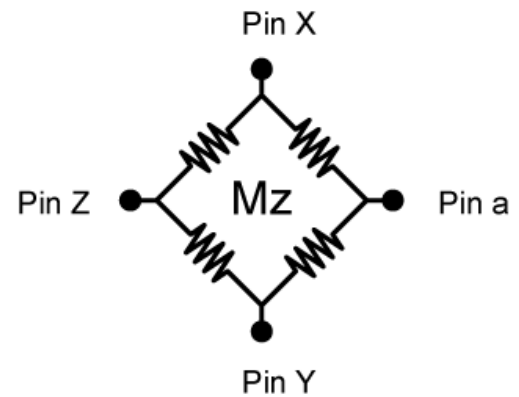
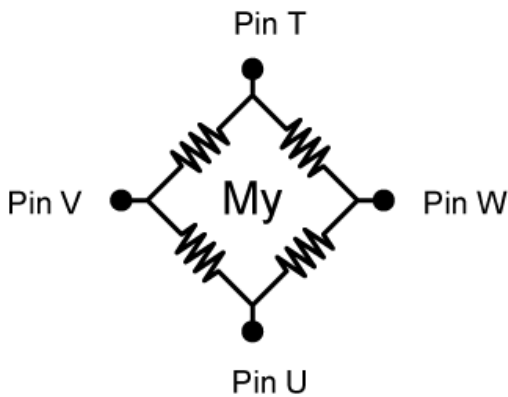
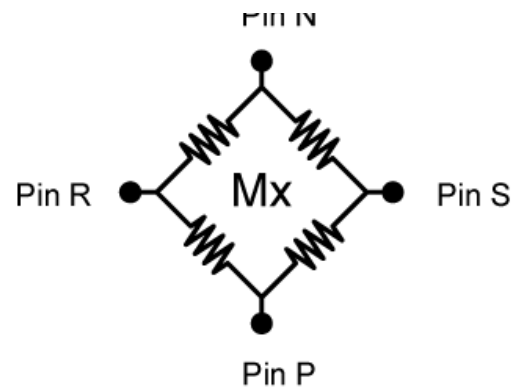
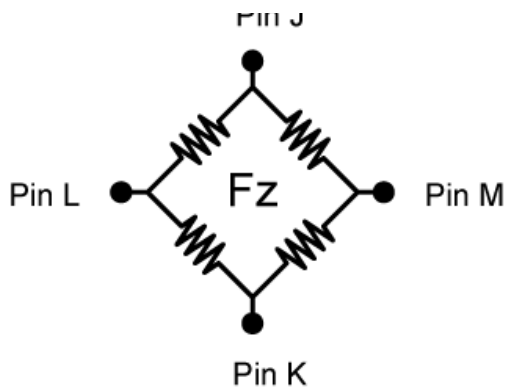


Fig. 2



Bridges Fz; Mz = 700 ohms
 Bridges Fx; Fy; Mx; My; = 350 ohms
Connector Type:
 Souriau 851-02E16-26P50-44