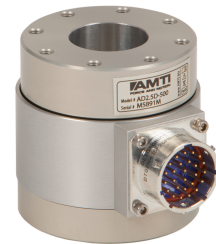


AD2.5D-100 SPECIFICATIONS

The AD2.5D is a compact six-axis force transducer with a side connector and threaded attachment points on its top and bottom surfaces. The body of the transducer is manufactured from high strength aluminum with an anodized finish.



Units: Capacity:

Dimensions(LxDia)	63.5 x 63.5 mm	IP Rating	IP50
Weight	0.455 Kg.	Sensing elements	Strain gage bridge
Channels	Fx, Fy, Fz, Mx, My, Mz	Amplifier	Required
Body Material	Aluminum	Analog outputs	6 Channels
Temperature range	-17.78 to 51.67°C	Digital outputs	None
Excitation	10V maximum	Crosstalk	< 2% on all channels
Fx, Fy, Fz hysteresis	± 0.2% full scale output	Fx, Fy, Fz non-linearity	± 0.2% full scale output

Channel	Fx	Fy	Fz	Units	Mx	My	Mz	Units
Capacity	222	222	445	N	11	11	5.6	N-m
Sensitivity	5.4	5.4	1.35	µv/v-N	266	266	213	µv/v-N-m
Natural frequency	-	-	-	Hz	300	300	-	Hz
Stiffness (X 105)	17.53	17.53	298	N/m	-	-	0.0226	N-m/rad

Resolution [To determine the resolution of your system, please use our Output Calculator.](#)

Notes: The listed natural frequency is the lowest natural frequency for the force sensor and will dominate.

Published specifications subject to change without notice.

Last modified:2016-08-23

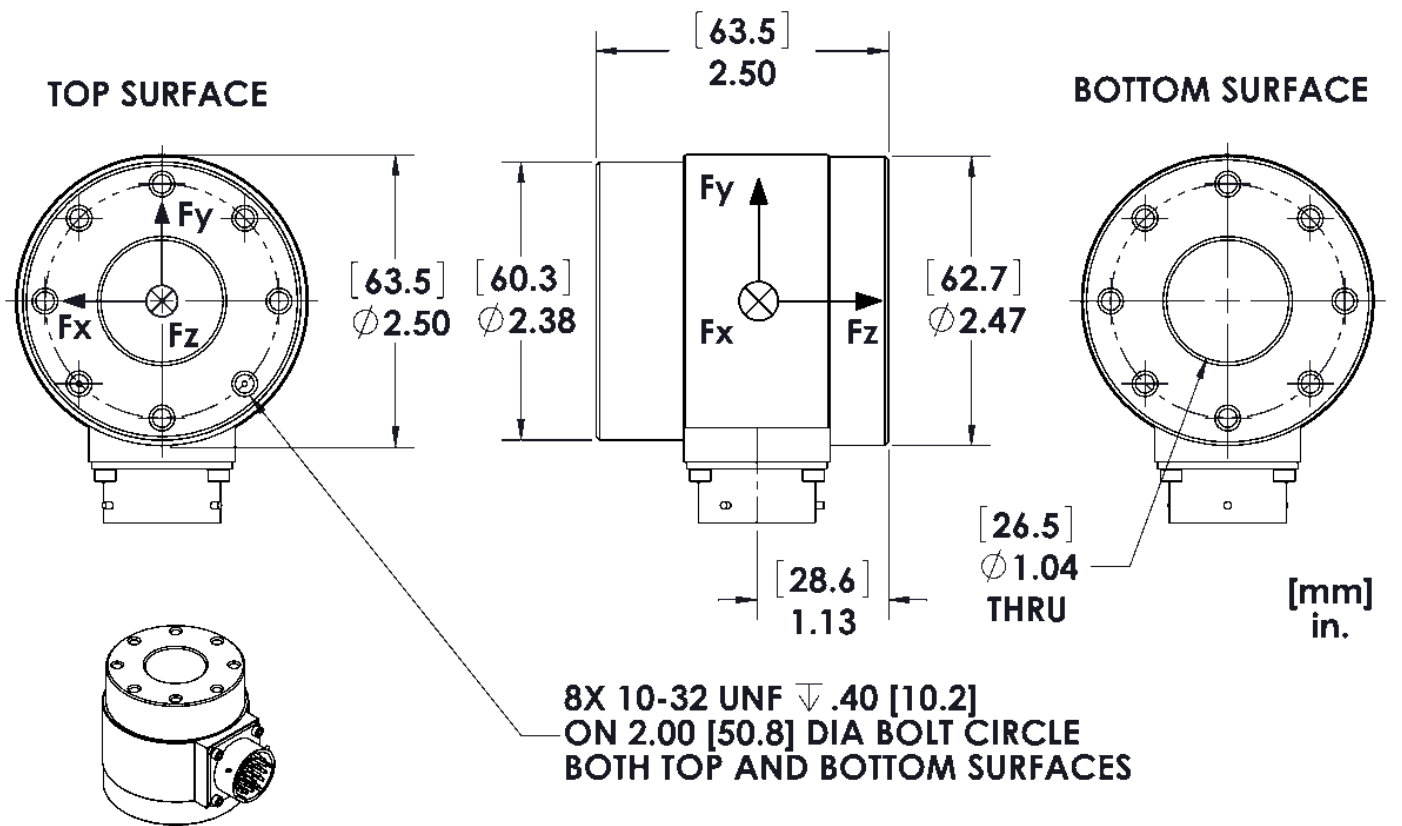
TECHNICAL DRAWINGS

Footprint Drawing (click on image to enlarge)

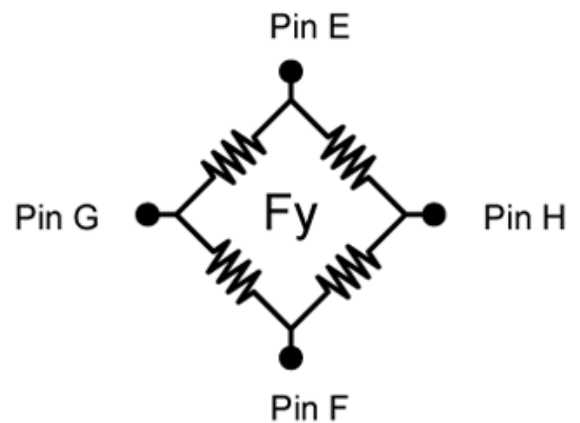
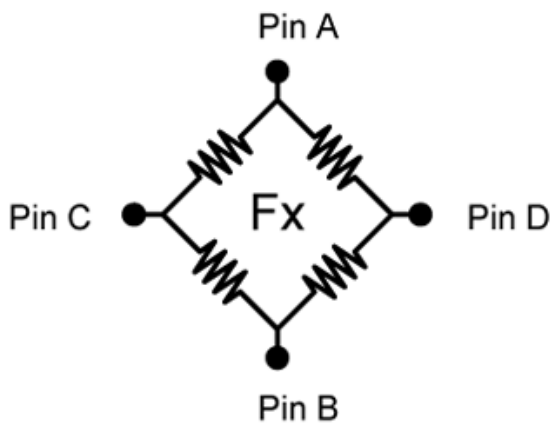
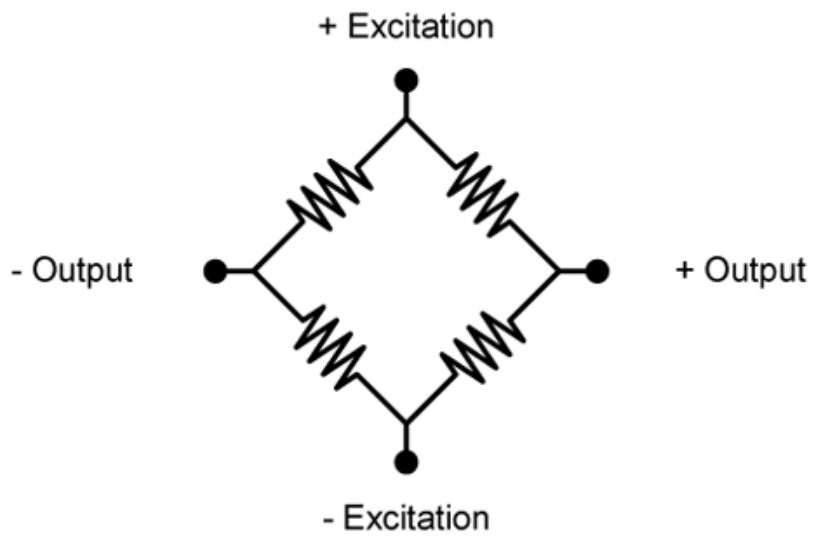
Electrical Drawing (click on image to enlarge)

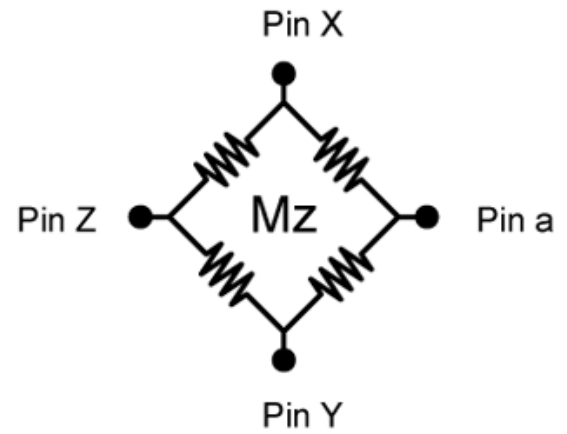
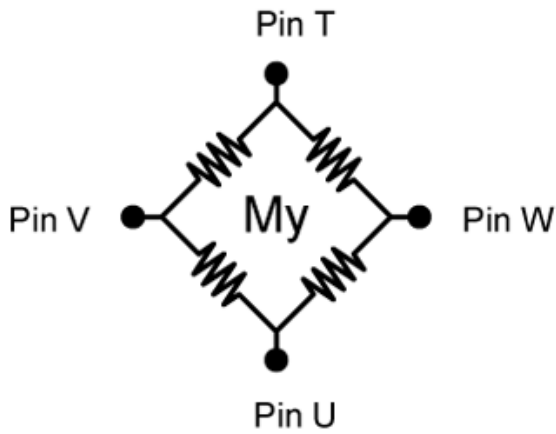
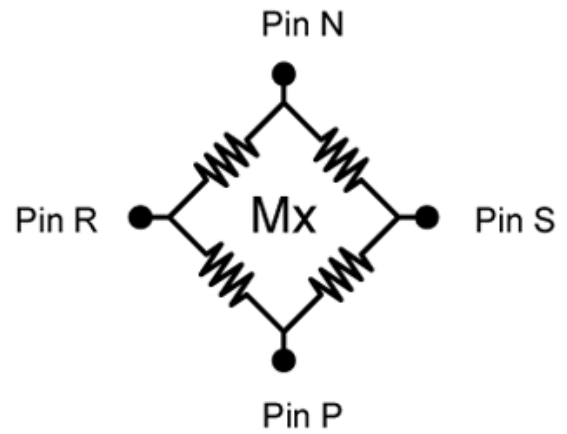
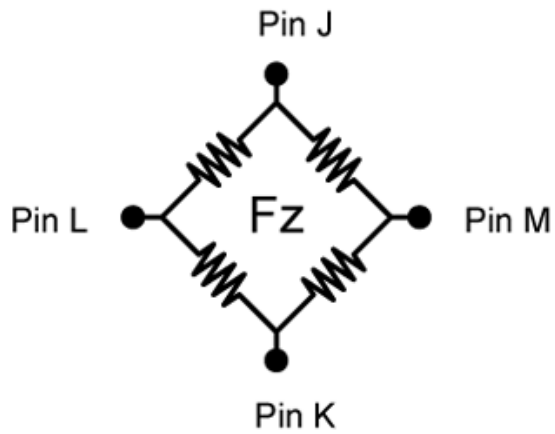
TECHNICAL DRAWING

Footprint Drawing



Electrical Drawing





Bridge Fz = 700 ohms
 Bridges Fx; Fy; Mx; My; Mz = 350 ohms

Connector Type:

Souriau 851-02E16-26P50-44