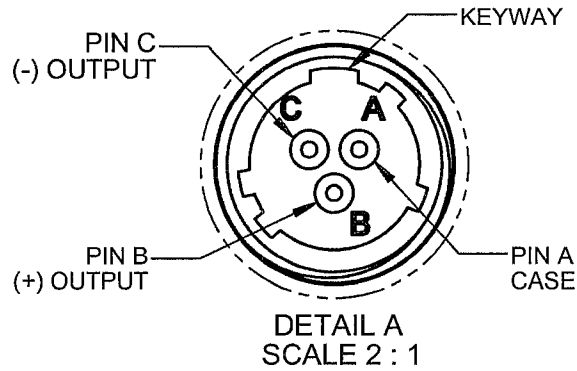


PROPRIETARY AND CONFIDENTIAL

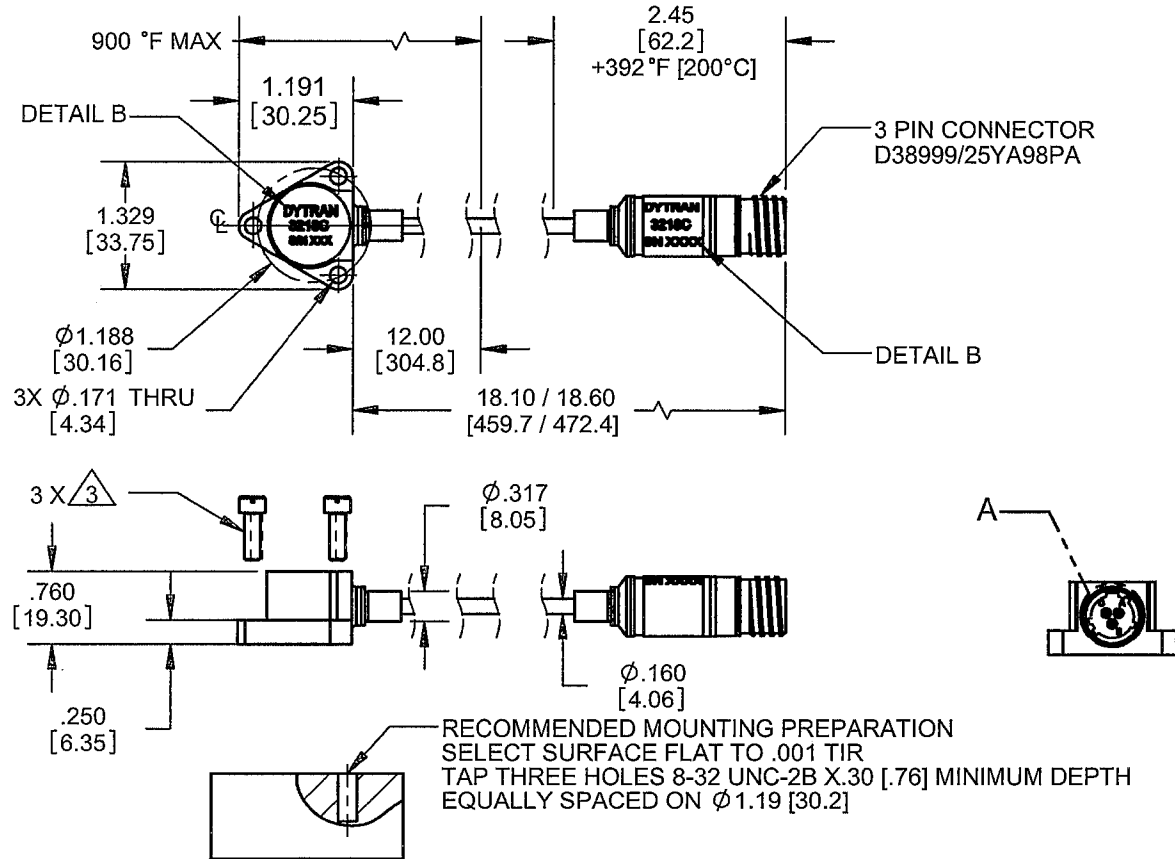
THE INFORMATION CONTAINED IN THIS DRAWING IS THE SOLE PROPERTY OF DYTRAN INSTRUMENTS INC. ANY REPRODUCTION IN PART OR AS A WHOLE WITHOUT THE WRITTEN PERMISSION OF DYTRAN INSTRUMENTS, INC. IS PROHIBITED

REVISIONS

REV.	ECN	DESCRIPTION	BY/DATE	CHK	APPR
B	10266	IS: +392°F [200°C] WAS: + 185°F MAX	RA 08/18/13	AB	<i>[Signature]</i>



DETAIL B MARKING



3 MOUNTING SCREWS 8-32 UNC-2A (DYTRAN MODEL 6535) SUPPLIED

2. MAX TEMP 900°F APPLIES ONLY TO THE DESIGNATED AREA OF THE SYSTEM

1. NOMINAL SENSITIVITY 1.6pC/G

NOTES UNLESS OTHERWISE SPECIFIED

USED ON	NEXT ASSY	APPLICATION	THIRD ANGLE PROJECTION USA

UNLESS OTHERWISE SPECIFIED: INTERPRET DIM & TOL PER ASME Y14.5M - 1994. REMOVE BURRS. COUNTERSINK INTERNAL THDS 90° TO MAJOR DIA. CHAM EXT THDS 45° TO MINOR DIA. THD LENGTHS AND DEPTHS ARE FOR MIN FULL THDS. THDS PER MIL-S-7742. DIMENSIONS APPLY AFTER FINISHING. ALL MACHINED SURFACES. TOTAL RUNOUT WITHIN .005. BREAK SHARP EDGES .005 TO .010. MACHINED FILLET RADII .005 TO .015. WELDING SYMBOLS PER AWS A2.4. ABBREVIATIONS PER MIL-STD-12.

UNLESS OTHERWISE SPECIFIED: DIMENSIONS ARE IN INCHES. DIMENSIONS IN BRACKETS [] ARE IN MILLIMETERS TOLERANCES ARE:
INCH .XX ± .03 .X ± 0.8 .XXX ± 0.10
METRIC .XX ± 0.25
ANGLES ± 1°

MATERIAL	FINISH	DO NOT SCALE DRAWING
----------	--------	----------------------

CONTRACT NO.	
APPROVALS	DATE
ORIG	EP 11/07/08
CHK	DV 12/03/08
APP	DV 10/03/08
APP	<i>[Signature]</i> 9/5/12

OUTLINE / INSTALLATION MODEL 3218C

SIZE A	CAGE CODE 2W033	DWG. NO. 127-3218C	REV B
SCALE: 1:2	SOLIDWORKS	SHEET 1 OF 1	

Model Number 3218C	PERFORMANCE SPECIFICATIONS	DOC NO PS3218C
	ACCELEROMETER, SINGLE AXIS DIFFERENTIAL, CHARGE MODE	REV C, ECN 8769, 06/20/12



- HIGH TEMPERATURE OPERATION
- EXTREME STABILITY OVER TEMPERATURE
- HERMETICALLY SEALED

PHYSICAL

Weight	Accelerometer	5.5	oz	157	grams
	Accelerometer and cable	6.83	oz	195	grams
Size, (Mounting dia x Height x Length)	Height	0.77	inches	19.43	mm
	Mounting dia	Ø1.19	inches	Ø30.20	mm
	Length	18.10 - 18.60	inches	459.70 - 472.40	mm
Connector [1]	Material	304 L		304 L	
	Type	3 Pin		3 Pin	
Housing	Material	304 L		304 L	
Isolation	Pins to Housing	10GΩ MIN		10GΩ MIN	
Sensing Element	Material	LGT		LGT	
	Mode	Compression		Compression	

PERFORMANCE

Sensitivity [2]	1.6	pC/g	0.16	pC/m/s
Acceleration Range	[3]	g peak	[3]	m/s ² peak
Frequency Range, ±10%	[4] -10,000	Hz	[4] -10,000	Hz
Resonance Frequency	> 35	kHz	> 35	kHz
Transverse Sensitivity	5	%	5	%
Insulation Resistance (75°F)	10	GΩ	10	GΩ
Insulation Resistance (400°F)	10	GΩ	10	GΩ
Insulation Resistance (700°F)	3.5	MΩ	3.5	MΩ
Insulation Resistance (900°F)	485	kΩ	485	kΩ
Operating Temperature	-60 to 900	°F	-51 to 482	°C
Capacitance, pin to pin	80	pF	80	pF
Unbalance between pins	<2	pF	<2	pF
Linearity	1	%	1	%

ENVIRONMENTAL

Maximum Vibration	1000	Gpeak	9810	m/s ² peak
Maximum Shock	2000	Gpeak	19620	m/s ² peak
Seal	Hermetic			
Magnetic Sensitivity at 100 Gauss	0.00007	g/Gauss	0.00069	m/s ² Gauss
Base Strain Sensitivity	0.05	g/με	0.4905	m/s ² /με

This family also includes:

Model	Sensitivity (mV/g)	Frequency Response (Hz)	Time Constant (Sec)	Operating Temp (°F)

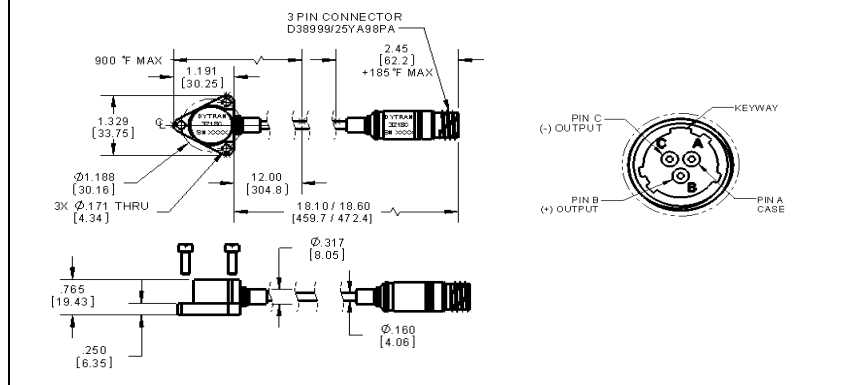
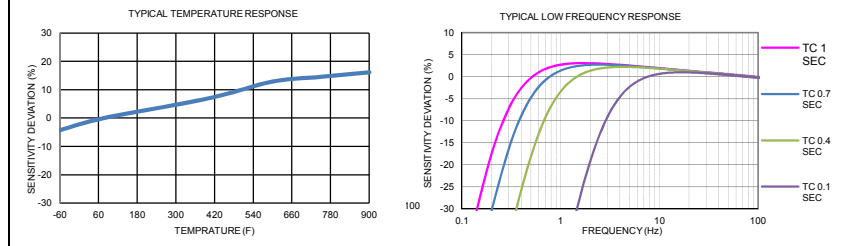
Refer to the performance specifications of the products in this family for detailed description

Supplied Accessories:

- 1) Model 6535 mounting screw (3)
- 2) Accredited Calibration Certificate (ISO 17025)

Notes:

- [1] D38999/25YA98PA Series III connector. Mates With D38999/26WA98SA Connector
- [2] Actual sensitivity is given on a calibration certificate
- [3] Depends on the gain setting of the charge amplifier used
- [4] Low frequency response is the function of the discharge time constant of the charge amplifier used. Please, Refer to the plot below for frequency response for different time constants.



Units on the line drawing are in inches, units in brackets are in millimeters. Refer to 127-3218C for more information.



21592 Marilla Street, Chatsworth, California 91311 Phone: 818.700.7818 Fax: 818.700.7880 www.dytran.com
 For permission to reprint this content, please contact info@dytran.com