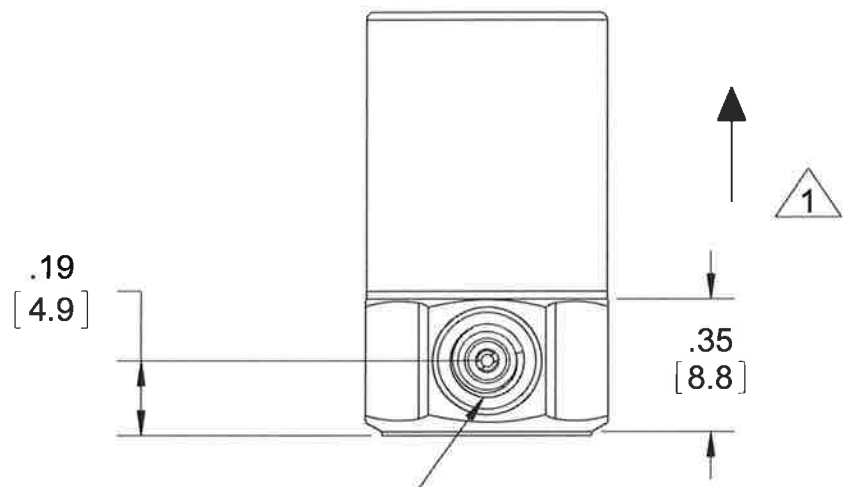
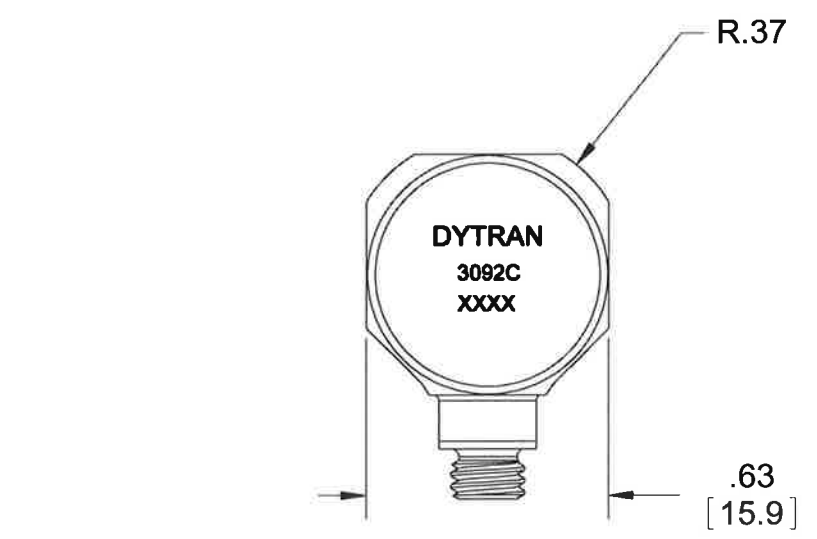


**PROPRIETARY AND CONFIDENTIAL**

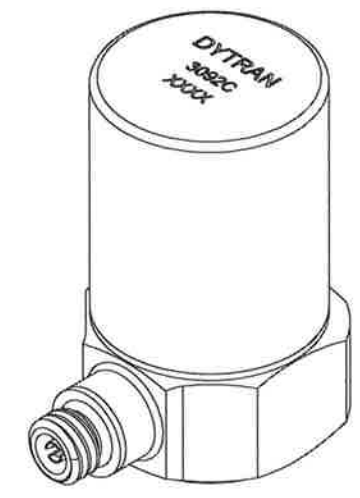
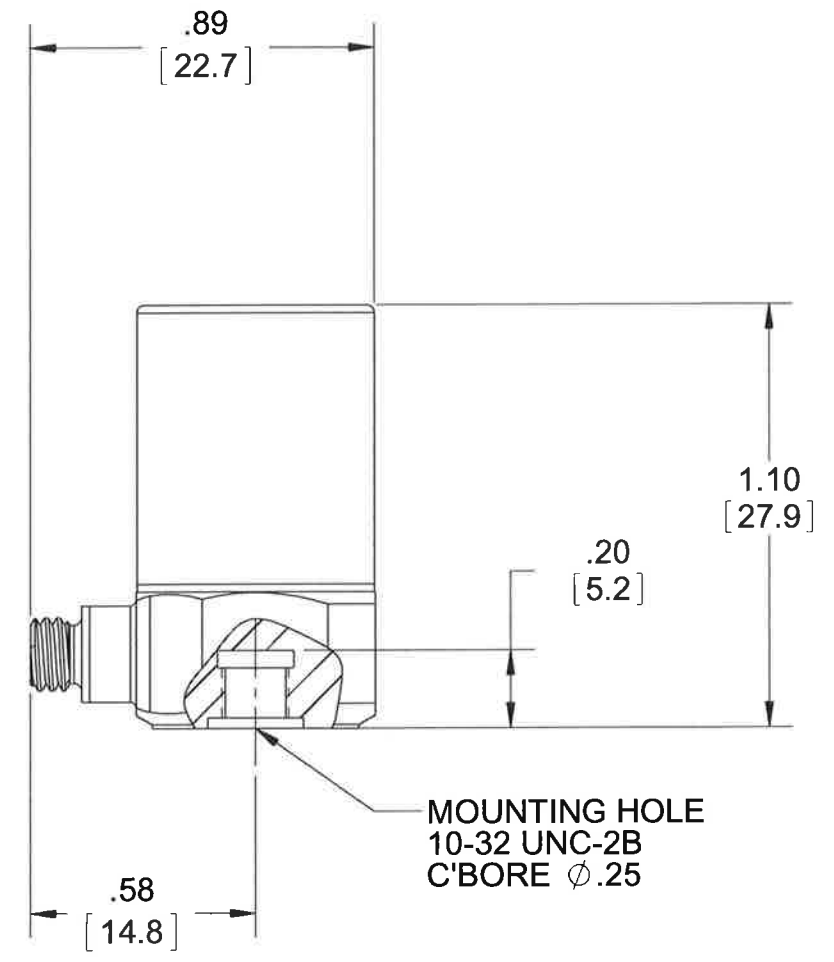
THE INFORMATION CONTAINED IN THIS DRAWING IS THE SOLE PROPERTY OF DYTRAN INSTRUMENTS INC. ANY REPRODUCTION IN PART OR AS A WHOLE WITHOUT THE WRITTEN PERMISSION OF DYTRAN INSTRUMENTS INC. IS PROHIBITED

**REVISIONS**

REV.	ECN	DESCRIPTION	BY/DATE	CHK	APPR
A	5201	INITIAL RELEASE	05/06/08	CES	DV
B	10878	ADDED NOTE <sup>1</sup>	JS 03/28/14	EC	



CONNECTOR  
10-32 UNC-2A



<sup>1</sup> ARROW INDICATES DIRECTION OF ACCELERATION FOR NEGATIVE OUTPUT.  
NOTES: UNLESS OTHERWISE SPECIFIED

DRILL HOLE SIZE	TOLERANCE
.0135 THRU .125	+ .004 / - .001
.1260 THRU .250	+ .005 / - .001
.2510 THRU .500	+ .006 / - .001
.5010 THRU .750	+ .008 / - .001
.7510 THRU 1.000	+ .010 / - .001
1.001 THRU 2.000	+ .012 / - .001

UNLESS OTHERWISE SPECIFIED:  
INTERPRET DIM & TOL PER ASME Y14.5M - 1994.  
REMOVE BURRS.  
COUNTERSINK INTERNAL THDS 90° TO MAJOR DIA.  
CHAM EXT THDS 45° TO MINOR DIA.  
THD LENGTHS AND DEPTHS ARE FOR MIN FULL THDS.  
THDS PER MIL-S-7742.  
DIMENSIONS APPLY AFTER FINISHING.  
ALL MACHINED SURFACES .63  
TOTAL RUNOUT WITHIN .005.  
BREAK SHARP EDGES .005 TO .010.  
MACHINED FILLET RADII .005 TO .015.  
WELDING SYMBOLS PER AWS A2.4.  
ABBREVIATIONS PER MIL-STD-12.

THIRD ANGLE PROJECTION  
USA

UNLESS OTHERWISE SPECIFIED: DIMENSIONS ARE IN INCHES. TOLERANCES ARE: DECIMALS .XX ±.03 .XXX ±.010 ANGLES ±1°	CONTRACT NO.
MATERIAL:	APPROVALS
FINISH:	DATE
DO NOT SCALE DRAWING	ORIG DV 05/06/08 CHK CES 05/08/08 APP DV 05/08/08 APP

**DYTRAN INSTRUMENTS, INC.** **MASTER ONLY IF IN RED**  
Chesworth, CA

TITLE: **OUTLINE/ INSTALLATION DRAWING, MODEL 3092C**

SIZE <b>B</b>	CAGE CODE <b>2W033</b>	DWG NO <b>127-3092C</b>	REV <b>B</b>
SCALE: 2:1	SOLIDWORKS	SHEET 1 of 1	

<b>MODEL NUMBER</b> <b>3092C</b>	<b>PERFORMANCE SPECIFICATION</b>	<b>DOC NO.</b> <b>PS3092C</b>
-------------------------------------	----------------------------------	----------------------------------

	<b>Accelerometer, Charge Mode</b>	REV C, ECN 12785, 07/01/16
--	-----------------------------------	----------------------------



- HERMETICALLY SEALED
- HIGH TEMPERATURE RANGE
- HIGH TEMPERATURE 10-32 COAXIAL CONNECTOR

**PHYSICAL**

Weight  
Mounting Provision  
Connector, side mounted  
Type  
Material  
Case  
Material

	ENGLISH		SI	
Weight	1.48	oz	42	grams
Mounting Provision	10-32 Mounting hole		10-32 Mounting hole	
Connector, side mounted	Type 10 - 32		10 - 32	
	Material 304L		304L	
Case	Material 17-4 PH / 304L		17-4 PH / 304L	

**PERFORMANCE**

Sensitivity [2] ± 1.0  
Frequency Range, ± 10%  
Resonant Frequency  
Linearity  
Transverse Sensitivity Max  
Capacitance, Nom.  
Insulation Resistance (Room Temperature)  
Insulation Resistance (900°F)

	ENGLISH		SI	
Sensitivity [2] ± 1.0	3.5	pC/g	0.36	pC/m/s <sup>2</sup>
Frequency Range, ± 10%	[1] to 5000 Hz		[1] to 5000 Hz	
Resonant Frequency	>40 kHz		>40 kHz	
Linearity	1 %		1 %	
Transverse Sensitivity Max	5 %		5 %	
Capacitance, Nom.	80 pF		80 pF	
Insulation Resistance (Room Temperature)	300 GΩ		300 GΩ	
Insulation Resistance (900°F)	100 GΩ		100 GΩ	

**ENVIRONMENTAL**

Shock Max  
Vibration Max  
Operating Temperature  
Thermal Sensitivity Coefficient  
Magnetic Sensitivity  
Strain Sensitivity  
Seal

	ENGLISH		SI	
Shock Max	5000	g pk	49050	m/s <sup>2</sup>
Vibration Max	3000	g pk	29430	m/s <sup>2</sup>
Operating Temperature	-60 to +900 °F		-51 to +482 °C	
Thermal Sensitivity Coefficient	0.01 %/°F		0.02 %/°C	
Magnetic Sensitivity	0.08 g/G		0.78 m/s <sup>2</sup> /G	
Strain Sensitivity	0.06 g/με		0.59 m/s <sup>2</sup> /με	
Seal	Hermetic		Hermetic	

**This family also includes:**

Model	Sensitivity (pC/g)	Range (Gpeak)	Output Polarity	Oper. Temp(°F)

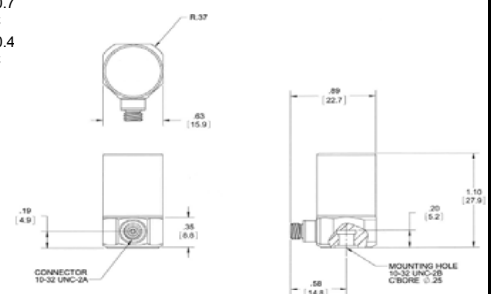
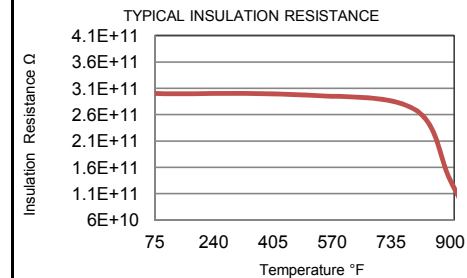
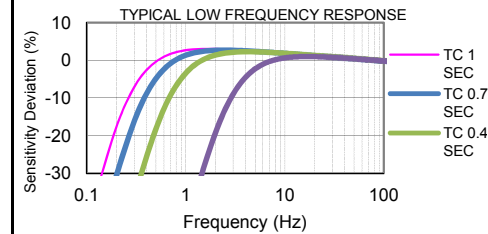
Please, refer to the performance specifications of the products in this family for detailed description.

**Supplied Accessories:**

- 1) Model 6200S (10-32 to 10-32 Stainless Steel Mounting Stud)
- 2) Accredited Calibration Certificate (ISO 17025)

**Notes:**

- [1] Low Frequency Response is the function of the discharge time constant of the charge amplifier used. Please, refer to the Plot below for Frequency Response for different time constants.
- [2] Actual Sensitivity is given on a Calibration Certificate.
- [3] In the interest of constant product improvement, we reserve the right to change specifications without notice.



Units on the line drawing are in inches, units in brackets are in millimeters. Refer to 127-3092C for more information.



21592 Marilla Street, Chatsworth, California 91311 Phone: 818.700.7818 Fax: 818.700.7880  
www.dytran.com For permission to reprint this content, please contact info@dytran.com