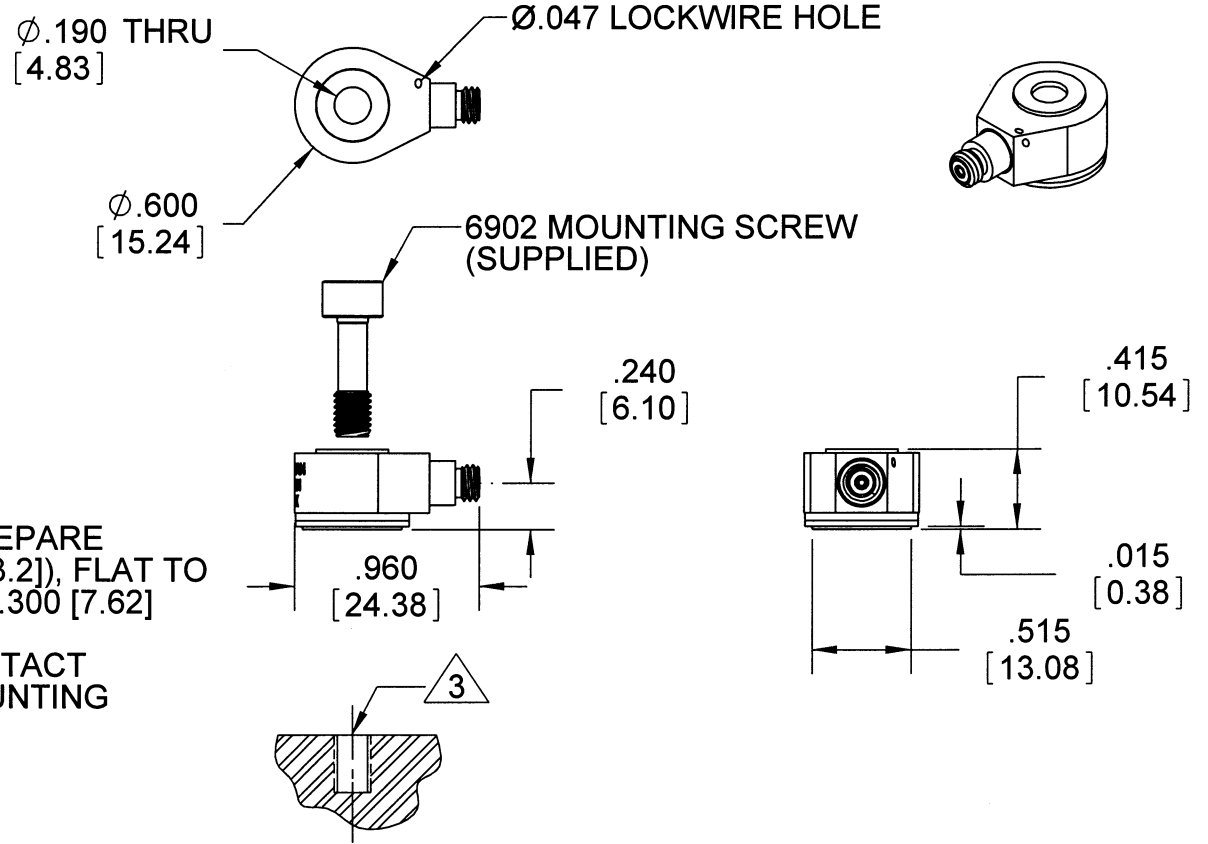


PROPRIETARY AND CONFIDENTIAL

THE INFORMATION CONTAINED IN THIS DRAWING IS THE SOLE PROPERTY OF DYTRAN INSTRUMENTS INC. ANY REPRODUCTION IN PART OR AS A WHOLE WITHOUT THE WRITTEN PERMISSION OF DYTRAN INSTRUMENTS, INC. IS PROHIBITED

REVISIONS

REV.	ECN	DESCRIPTION	BY/DATE	CHK	APPR
B	5633	ADD: 6902	RA 12/02/08	AWS	



**3** MOUNTING RECOMENDATIONS: PREPARE MOUNTING SURFACE Ø.56 [14.2] (Ø.52 [13.2]), FLAT TO .001 TIR. DRILL AND TAP 10-32 UNC-2B X .300 [7.62] DEEP MIN. RECOMMENDED MOUNTING TORQUE: 15 LB IN +5/-0 LB IN. MUST CONTACT MOUNTING SURFACE OVER ENTIRE MOUNTING SURFACE OF ACCEROMETER.

- 2. MATERIAL: TITANIUM
- 1. WEIGHT: 10 GRAMS

NOTES: UNLESS OTHERWISE SPECIFIED.

3215M1	UNLESS OTHERWISE SPECIFIED: INTERPRET DIM & TOL PER ASME Y14.5M - 1994. REMOVE BURRS. COUNTERSINK INTERNAL THDS 90° TO MAJOR DIA. CHAM EXT THDS 45° TO MINOR DIA. THD LENGTHS AND DEPTHS ARE FOR MIN FULL THDS. THDS PER MIL-S-7742. DIMENSIONS APPLY AFTER FINISHING. ALL MACHINED SURFACES. TOTAL RUNOUT WITHIN .005. BREAK SHARP EDGES .005 TO .010. MACHINED FILLET RADII .005 TO .015. WELDING SYMBOLS PER AWS A2.4. ABBREVIATIONS PER MIL-STD-12.
USED ON	NEXT ASSY
APPLICATION	
THIRD ANGLE PROJECTION USA	

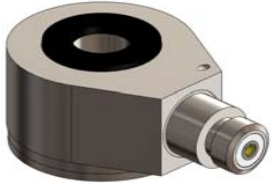
UNLESS OTHERWISE SPECIFIED: DIMENSIONS ARE IN INCHES. DIMENSIONS IN BRACKETS [ ] ARE IN MILLIMETERS TOLERANCES ARE: INCHES    METRIC    ANGLES .XX ± .03    .X ± 0.8    ± 1° .XXX ± .010    .XX ± 0.25		
MATERIAL		
FINISH		
DO NOT SCALE DRAWING		

CONTRACT NO.		
APPROVALS		DATE
ORIG	JS	04/03/08
CHK	CES	4/03/08
APP	D.V.	4/08/08
APP		

**MASTER ONLY IF IN RED**

TITLE:  
**OUTLINE/INSTALLATION  
DRAWING, 3215M1**

SIZE <b>A</b>	CAGE CODE <b>2W033</b>	DWG. NO. <b>127-3215M1</b>	REV <b>B</b>
SCALE: 2:1	SOLIDWORKS	SHEET 1 OF 1	



- **MINIATURE SIZE**
- **HERMETICALLY SEALED**
- **LOW NOISE**

**PHYSICAL**

Weight, Max  
Connector, Side Mounted  
Mounting Provision, Thru Hole  
Material, Housing/Connector

ENGLISH		SI	
0.35	oz	10	grams
10-32 UNF-2A		10-32 UNF-2A	
Ø .19	Inches	Ø 4.8	mm
Titanium		Titanium	

**PERFORMANCE**

Sensitivity, ±5% [1]  
Range F.S for ± 5 Volts Output  
Frequency Response, ±5%  
Resonant Frequency  
Equivalent Electrical Noise Floor  
Low Frequency -3db point  
Low Frequency -5% point  
Linearity [2]  
Maximum Transverse Sensitivity  
Strain Sensitivity @ 250µe

10	mV/g	1.0	mV/m/s <sup>2</sup>
± 500	g	± 4905	m/s <sup>2</sup>
1 to 10,000	Hz	1 to 10,000	Hz
>50	kHz	>50	kHz
0.005	Grms	0.05	m/s <sup>2</sup> rms
0.300	Hz	0.30	Hz
1.000	Hz	1.00	Hz
± 1%	% F.S.	± 1%	% F.S.
5	%	5	%
0.003	g/µe	0.03	m/s <sup>2</sup> /µe

**ENVIRONMENTAL**

Maximum Vibration  
Maximum Shock  
Temperature Range  
Seal, Hermetic

± 600	Gpeak	± 5886	m/s <sup>2</sup> peak
± 5000	Gpeak	± 49050	m/s <sup>2</sup> peak
-60 to +300	°F	-51 to +149	°C
Welded/Glass To Metal		Welded/Glass To Metal	

**ELECTRICAL**

Supply Current Range [3]  
Compliance Voltage Range  
Output Impedance, Typ  
Bias Voltage  
Discharge Time Constant  
Electrical Isolation

2 to 20	mA	2 to 20	mA
+ 15 to +24	Volts	+ 15 to +24	Volts
120	Ω	120	Ω
7.5 to 9.5	VDC	7.5 to 9.5	VDC
0.5 to 1.5	Sec	0.5 to 1.5	Sec
0.5 to 1.5	Sec	0.5 to 1.5	Sec
10	GΩ, min	10	GΩ, min

**This family also includes:**

Model	Sensitivity (mV/g)	Frequency Response, ±5 % (Hz)	Time Constant (Sec)	Operating Temp (°F)

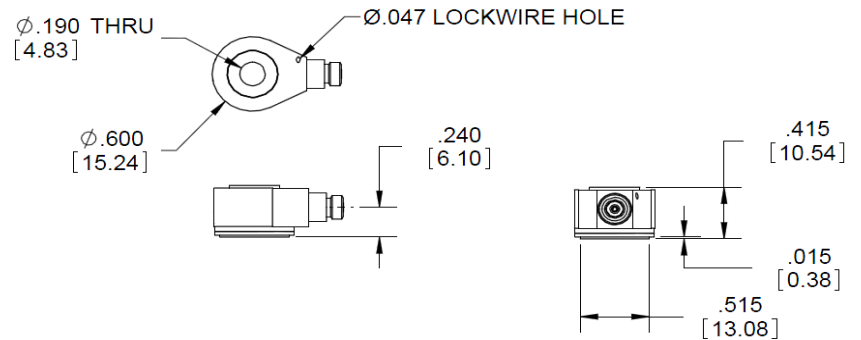
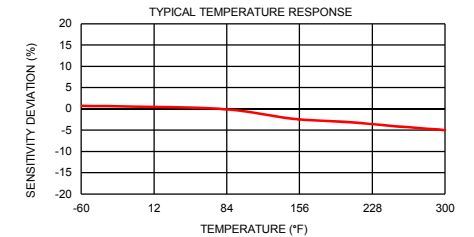
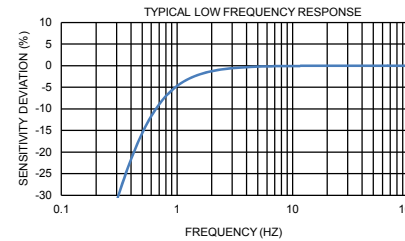
Refer to the performance specifications of the products in this family for detailed description.

**Supplied Accessories:**

- 1) Accredited calibration certificate (ISO 17025)
- 2) Mounting Screw, Model 6902, Qty: 1

**Notes:**

- [1] Measure at 100Hz, 1 Grms per ISA RP 37.2
- [2] Measure using zero-based straight line method, % of F.S. or any lesser range.
- [3] Do not apply power to this system without current limiting, 20 mA MAX. To do so will destroy the IC charge amplifier



Units on the line drawing are in inches, units in brackets are in millimeters. Refer to 127-3215M1 for more information.

