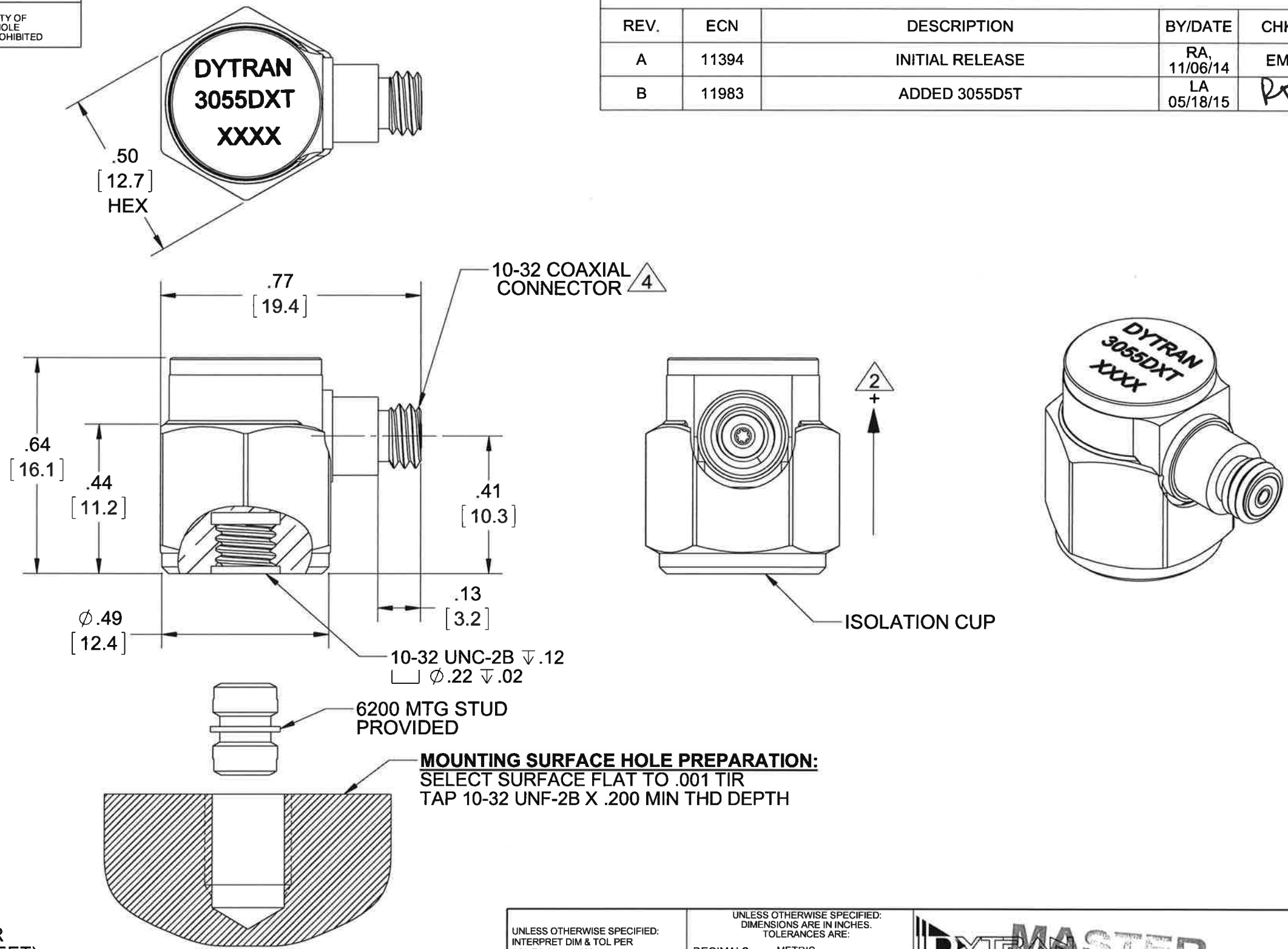


PROPRIETARY AND CONFIDENTIAL

THE INFORMATION CONTAINED IN THIS DRAWING IS THE SOLE PROPERTY OF DYTRAN INSTRUMENTS INC. ANY REPRODUCTION IN PART OR AS A WHOLE WITHOUT THE WRITTEN PERMISSION OF DYTRAN INSTRUMENTS INC. IS PROHIBITED

MODEL	SENSITIVITY
3055D1T	10 mV/g
3055D2T	100 mV/g
3055D3T	500 mV/g
3055D4T	50 mV/g
3055D5T	20 mV/g
3055D6T	200 mV/g

REVISIONS					
REV.	ECN	DESCRIPTION	BY/DATE	CHK	APPR
A	11394	INITIAL RELEASE	RA, 11/06/14	EM	DV
B	11983	ADDED 3055D5T	LA 05/18/15	PT	DV



**MOUNTING SURFACE HOLE PREPARATION:**  
SELECT SURFACE FLAT TO .001 TIR  
TAP 10-32 UNF-2B X .200 MIN THD DEPTH

4 MATES WITH DYTRAN 6010AXX OR 6011AXX CABLE (XX=LENGTH IS FEET)

3. WEIGHT: 10 GRAMS, MAX.

2 ARROW INDICATES ACCELERATION DIRECTION FOR POSITIVE OUTPUT.

1. MATERIAL: TITANIUM ALLOY

NOTES: UNLESS OTHERWISE SPECIFIED

UNLESS OTHERWISE SPECIFIED: INTERPRET DIM & TOL PER ASME Y14.5M - 1994. REMOVE BURRS. COUNTERSINK INTERNAL THDS 90° TO MAJOR DIA. CHAM EXT THDS 45° TO MINOR DIA. THD LENGTHS AND DEPTHS ARE FOR MIN FULL THDS. DIMENSIONS APPLY AFTER FINISHING.

ALL MACHINED SURFACES. TOTAL RUNOUT WITHIN .005. BREAK SHARP EDGES .005 TO .010. MACHINED FILLET RADII .005 TO .015. WELDING SYMBOLS PER AWS A2.4. ABBREVIATIONS PER MIL-STD-12.

DECIMALS		METRIC		ANGLES
.XX ±.03	.X ±0.8	.XX ±.03	.X ±0.8	±1°
.XXX ±.010	.XX ±0.25			

APPROVALS		DATE
ORIG	RA	05/29/14
CHK	EM	11/06/14
APP	DV	12/17/14

DO NOT SCALE DRAWING

THIRD ANGLE PROJECTION

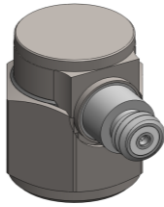
**DYTRAN MASTER INSTRUMENTS, INC.** Chatsworth, CA

TITLE: **OUTLINE/INSTALLATION, ACCEL, ISOLATED, 10 MV/G, SIDE 10-32 CONN**

SIZE <b>B</b>	CAGE CODE <b>2W033</b>	DWG NO <b>127-3055DT</b>	REV <b>B</b>
SCALE: 3:1	PART NO:	SHEET 1 OF 1	

**IEPE ACCELEROMETER**

REV E, ECN 12184, 08/21/15



- **HERMETICALLY SEALED**
- **BASE ISOLATED**
- **IDEAL LOW FREQUENCY RESPONSE**
- **TEDS**

**PHYSICAL**

Weight  
Connector  
Mounting Provision  
Material, Housing/Connector  
Sensing Element  
Element Style

ENGLISH		SI	
0.35	oz	10	grams
10-32		10-32	
10-32 X .150 ↓		10-32 X .150 ↓	
Titanium		Titanium	
Ceramic		Ceramic	
Planar Shear		Planar Shear	

**PERFORMANCE**

Sensitivity, ± 5% [1]  
Range for ± 5 Volts Output  
Frequency Response, ± 10%  
Resonant Frequency  
Broad Band Resolution  
Linearity [2]  
Maximum Transverse sensitivity  
Strain Sensitivity @ 250µε

50	mV/g	5	mV/m/s <sup>2</sup>
100	g	981	m/s <sup>2</sup>
1 to 10000	Hz	1 to 10000	Hz
> 36	kHz	> 36	kHz
0.0010	Grms	0.010	m/s <sup>2</sup> rms
± 1	% F.S.	± 1	% F.S.
5	%	5	%
0.002	g/µε	0.02	m/s <sup>2</sup> /µε

**ENVIRONMENTAL**

Maximum Vibration  
Maximum Shock  
Operating Temperature Range  
TEDS Operating Temperature  
Seal

500	Gpeak	4905	m/s <sup>2</sup> peak
2000	Gpeak	19620	m/s <sup>2</sup> peak
-60 to +250	*F	-51 to 121	*C
-40 to +185	*F	-40 to +85	*C
Hermetic		Hermetic	

**ELECTRICAL**

Supply Current Range [3]  
Compliance Voltage Range  
Output Impedence, Typ  
Bias Voltage  
Discharge Time Constant  
Electrical Isolation  
TEDS

2 to 20	mA	2 to 20	mA
18 to +30	Volts	18 to +30	Volts
100	Ω	100	Ω
11 to 13	VDC	11 to 13	VDC
0.5 to 1.5	Sec	0.5 to 1.5	Sec
10	GΩ,min	10	GΩ,min
IEEE 1451.4		IEEE 1451.4	

**This family also includes:**

Model	Sensitivity (mV/g)	Frequency Response (Hz)	Time Constant (Sec)	Operating Temp (*F)
3055D1T	10	1 to 10000	0.5 to 1.5	-60 to +250
3055D2T	100	1 to 10000	0.5 to 1.5	-60 to +250
3055D3T	500	1 to 10000	0.5 to 1.5	-60 to +225
3055D5T	20	1 to 10000	0.5 to 1.5	-60 to +250
3055D6T	200	1 to 10000	0.5 to 1.5	-60 to +225

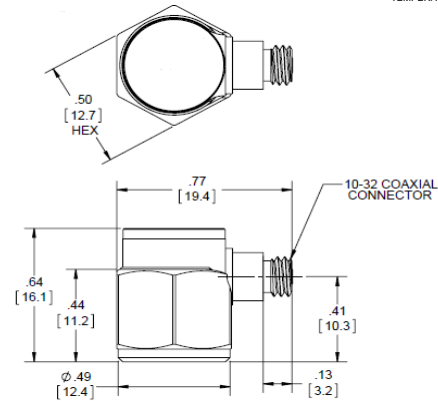
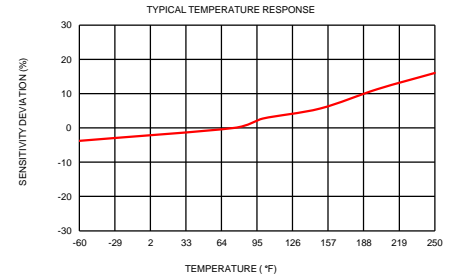
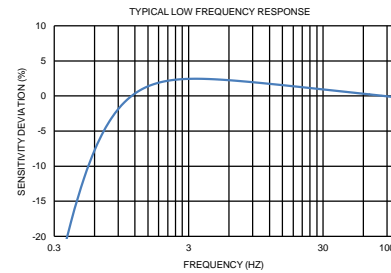
Refer to the performance specifications of the products in this family for detailed description

**Supplied Accessories:**

- 1) Accredited calibration certificate (ISO 17025)
- 2) Model 6200 mounting stud, qty 1

**Notes:**

- [1] Measured at 100Hz, 1 Grms per ISA RP 37.2.
- [2] Measure using zero-based straight line method, % of F.S. or any lesser range.
- [3] Do not apply power to this system without current limiting, 20 mA MAX. To do so will destroy the IC charge amplifier.
- [4] In the interest of constant product improvement, we reserve the right to change specifications without notice.



Units on the line drawing are in inches, units in brackets are in millimeters. Refer to 127-3055DT for more information.

