



FEATURES

- Ideal for OEM Applications
- Can be utilized to measure force, pressure, and displacement for OEM Applications
- Light Weight

SPECIFICATIONS

ELECTRICAL

Rated Output (RO)	1 mV/V nom
Excitation (VDC or VAC)	18 max
Bridge Resistance	1000 Ohm nom
Insulation Resistance	≥500 MOhm @ 50 VDC
Connection	#28 AWG, 4 conductor, braided shielded PVC cable 1 ft [0.3 m] long
Wiring Code	WC3

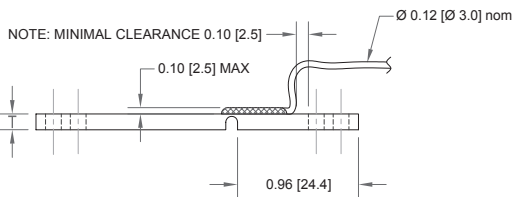
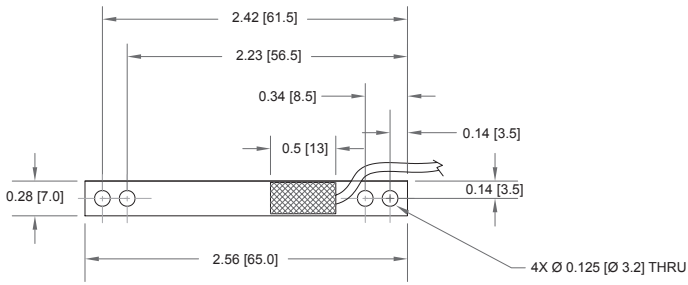
MECHANICAL

Weight	1 oz [28 g]
Safe Overload	150% of RO
Material	17-4 PH stainless-steel
IP Rating	IP64

TEMPERATURE

Operating Temperature	-45 to 200°F [-42 to 93°C]
Compensated Temperature	60 to 160°F [15 to 72°C]
Temperature Shift Zero	±0.02% of RO/°F [0.036% of RO/°C]
Temperature Shift Span	±0.02% of Load/°F [0.036% of Load/°C]

DIMENSIONS inches [mm]

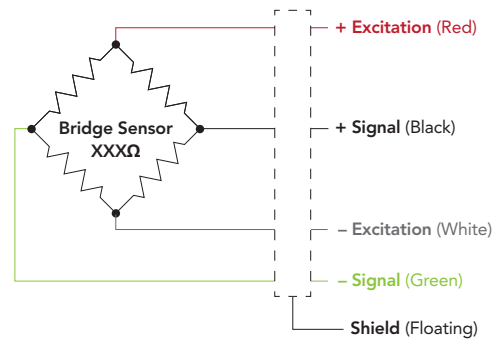


CAPACITIES

ITEM #	lb	N	Deflection (in)	Natural Frequency (Hz)	T
FSH00887	1/4	1.1	0.007	150	0.12 [3]
FSH00888	1/2	2.2	0.010	180	0.12 [3]
FSH00889	1	4.5	0.009	270	0.12 [3]
FSH00891	5	22	0.007	570	0.18 [4.6]
FSH00892	10	44.5	0.009	700	0.18 [4.6]
FSH00893	25	111	0.020	730	0.18 [4.6]

WIRING CODE (WC3)

RED	+ EXCITATION
WHITE	- EXCITATION
BLACK	+ SIGNAL
GREEN	- SIGNAL
SHIELD	FLOATING



Drawing Number: FI1049-F

FUTEK reserves the right to modify its design and specifications without notice. Please visit www.futek.com/salesterms for complete terms and conditions.

10 Thomas, Irvine, CA 92618 USA

Tel: (949) 465-0900

Fax: (949) 465-0905

www.futek.com



U.S. Manufacturer