



FEATURES

- Minimal mounting clearance
- 17-4 stainless-steel construction
- For use in both tension and compression
- Adheres to RoHS directive 2011/65/EU
- Accessories and related instruments available

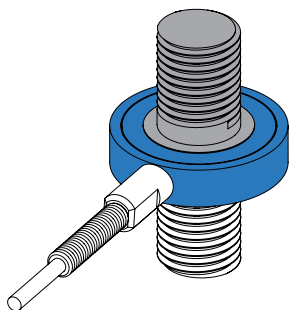
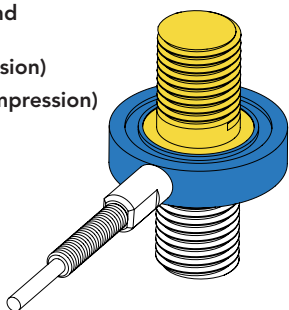
 Non-loading surface, do not contact

 Active End

 Fixed End

+ Output (tension)

- Output (compression)



SPECIFICATIONS

PERFORMANCE

Nonlinearity	±0.5% of RO
Hysteresis	±0.5% of RO
Nonrepeatability	±0.1% of RO

ELECTRICAL

Rated Output (RO)	1 mV/V nom (250 lb) 2 mV/V nom
Excitation (VDC or VAC)	15 max
Bridge Resistance	350 Ohm nom
Insulation Resistance	≥500 MOhm @ 50 VDC
Connection	#29 AWG, 4 conductor, spiral shielded Teflon cable 10 ft [3 m] long
Wiring/Connector Code	WC1

MECHANICAL

Weight (approximate)	0.6 oz [17 g]
Safe Overload	150% of RO
Deflection	0.001 in [0.025 mm] nom
Material	17-4 PH stainless-steel
IP Rating	IP64

TEMPERATURE

Operating Temperature	-60 to 285°F (-51 to 140°C)
Compensated Temperature	60 to 250°F (15 to 121°C)
Temperature Shift Zero	±0.01% of RO/°F (±0.018 of RO/°C)
Temperature Shift Span	±0.02% of Load/°F (±0.036 of Load/°C)

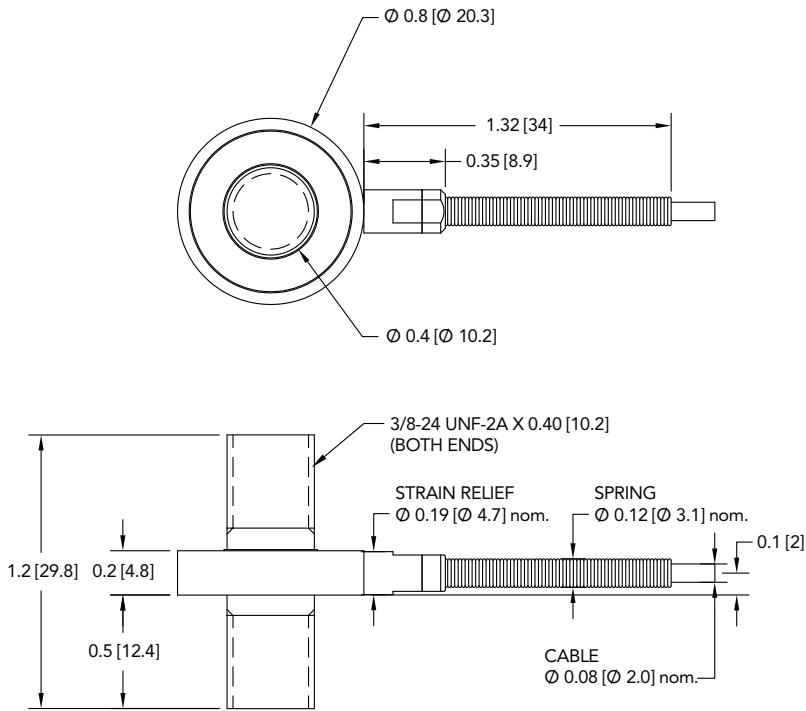
CALIBRATION

Calibration Test Excitation	10 VDC
Calibration (standard)	5-pt Tension
Calibration (available)	5-pt Compression
Shunt Calibration Value	60.4 kOhm, 100 kOhm (250 lb)

CONFORMITY

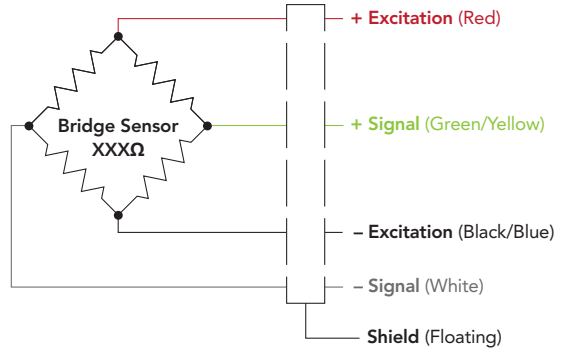
RoHS	2011/65/EU
CE	EN55011:2009; EN61326-1:2006

DIMENSIONS inches [mm]



WIRING CODE (WC1 WITH SHIELD)

RED	+ EXCITATION
BLACK	- EXCITATION
GREEN	+ SIGNAL
WHITE	- SIGNAL
SHIELD	FLOATING



CAPACITIES

ITEM #	lb	N	Natural Frequency (kHz)
FSH03903	250	1112	26.8
FSH03904	500	2224	26.8
FSH03905	1000	4448	32.8



Drawing Number: FI1064-G

FUTEK reserves the right to modify its design and specifications without notice. Please visit <http://www.futek.com/salesterms> for complete terms and conditions.

10 Thomas, Irvine, CA 92618 USA

Tel: (949) 465-0900
Fax: (949) 465-0905

www.futek.com



RoHS



U.S. Manufacturer